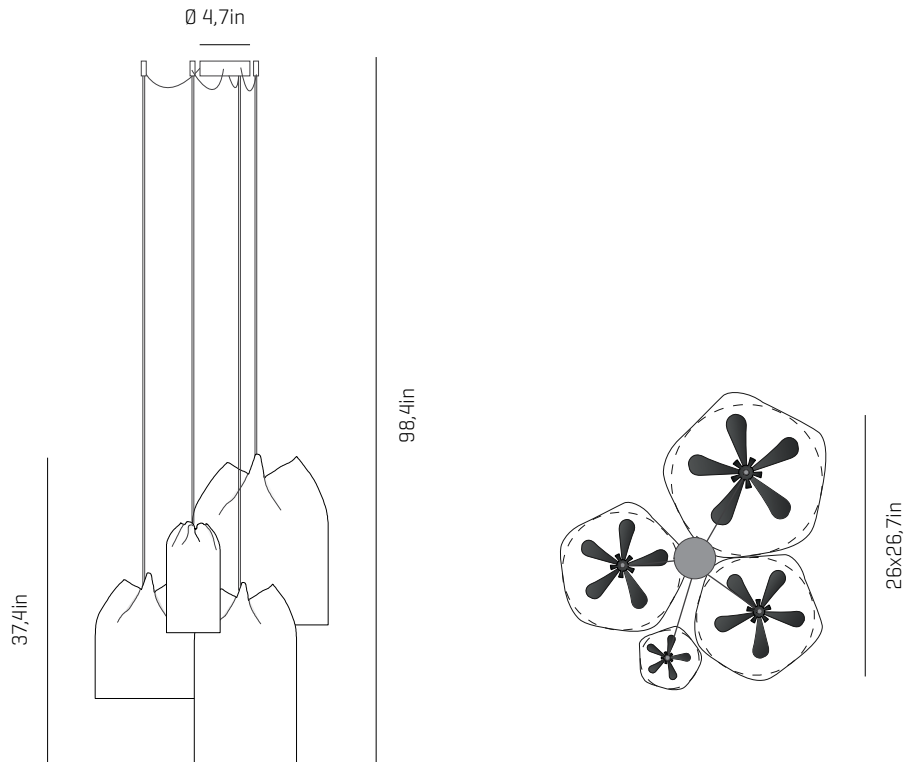


# a

## emotional light

agasallo collection



USA & Canada

ref. AG04-4-P



### MATERIALS & COMPONENTS

#### LAMPSHADE

Painted stainless steel | One color to choose



BL

BE

G

T

CUSTOM  
COLOR

Stainless steel painted in black  
Acero inoxidable pintado en negro

ref. 1xAG104, 1xAG204, 1xAG304, 1xAG404

#### CANOPY AND CABLE

Steel painted in matt black  
Ø4,7in

4x ref. PIEZA002

Black cable

Lenght/largo customizable

#### RECOMMENDED BULB

**120V - 60Hz**

 E26 LED- Max. 4x12 W

### OTHER DATA

#### NET WEIGHT

9,9lb

#### PACKAGING

18,1 x 9,4 x 9,8 in

17,3x17,3x15,7 in

18,5x18,5x24,8 in

20x20x20,9 in

23,4lb

#### ELECTRICAL FEATURES



#### CERTIFICATIONS

