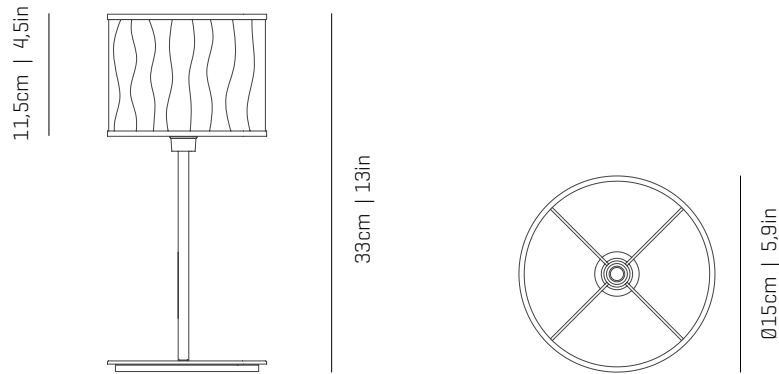


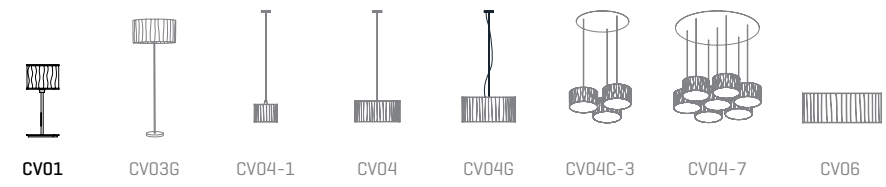
a

emotional light

curvas collection



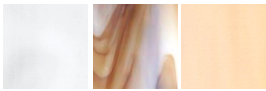
ref. CV01



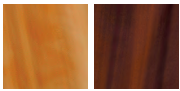
MATERIALS & COMPONENTS | MATERIALES & COMPONENTES

LAMP SHADE | TULIPA

Glass | One color to choose
Vidrio | Un color a elegir



02 95 87



89 90

SUPPORT AND CABLE

SOPORTE Y CABLE

Painted steel and stainless steel
Acero pintado y acero inoxidable

Transparent or black cable
Cable transparente o negro

Standard: 120cm | 47,2in

RECOMMENDED BULBS

BOMBILLAS RECOMENDADAS

230V - 50Hz

- E14 LED Vintage - Max. 1x7 W
- E14 LED Standard - Max. 1x7 W

120V - 60Hz

- E12 LED - Max. 1x7 W

OTHER DATA | OTROS DATOS

NET WEIGHT

PESO NETO

1,9kg | 4,2lb

PACKAGING

EMBALAJE

46x24x25cm | 17,7x 9,4x 9,8in
2,6kg | 5,7lb

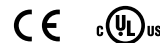
ELECTRICAL FEATURES

CARACTERÍSTICAS ELÉCTRICAS



CERTIFICATIONS

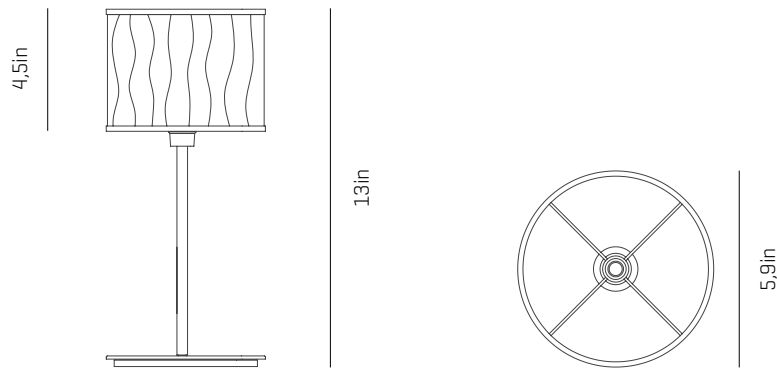
CERTIFICACIONES



a

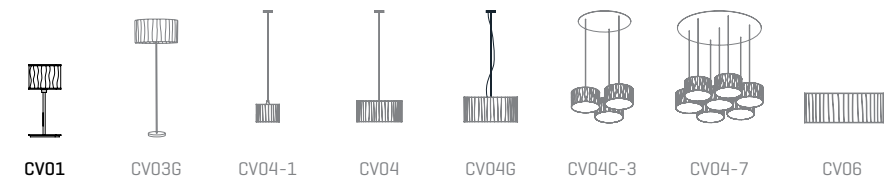
emotional light

curvas collection



USA & Canada

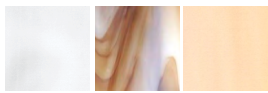
ref. CV01



MATERIALS & COMPONENTS

LAMPSHADE

Glass | One color to choose



02

95

87



89

90


SUPPORT AND CABLE

Painted steel and stainless steel

Transparent or black cable
Standard: 47,2in

RECOMMENDED BULBS

120V - 60Hz

 E12 LED- Max. 1x7 W

OTHER DATA

NET WEIGHT

4,2lb

PACKAGING

17,7x 9,4x 9,8in

5,7lb

ELECTRICAL FEATURES



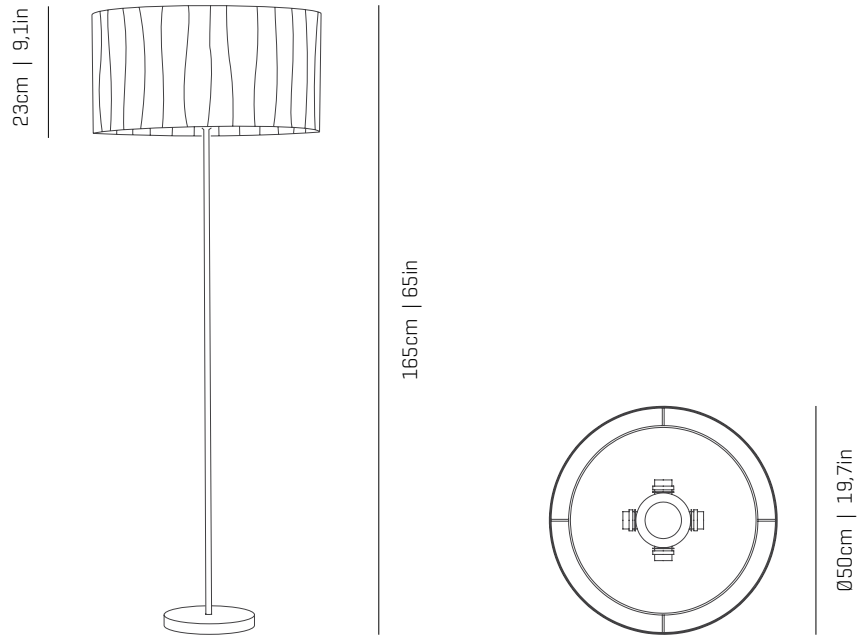
CERTIFICATIONS



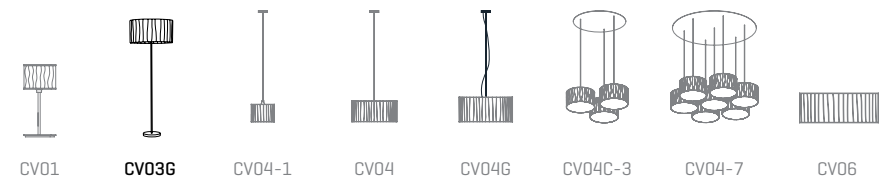
a

emotional light

curvas collection



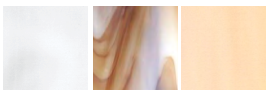
ref. CV03G



MATERIALS & COMPONENTS | MATERIALES & COMPONENTES

LAMP SHADE | TULIPA

Glass | One color to choose
Vidrio | Un color a elegir



02 95 87



89 90

Top diffuser | Difusor superior

SUPPORT AND CABLE

SOPORTE Y CABLE

Painted steel and stainless steel
Acero pintado y acero inoxidable

Dimmable
Regulable

Transparent or black cable
Cable transparente o negro

Standard: 250cm | 98,4in

RECOMMENDED BULBS

BOMBILLAS RECOMENDADAS

ONLY DIMMABLE LED BULBS

230V - 50Hz

- E27 LED Vintage - Max. 4x12 W
- E27 LED Standard - Max. 4x12 W

120V - 60Hz

- E26 LED - Max. 4x12 W

OTHER DATA | OTROS DATOS

NET WEIGHT

PESO NETO

12,5kg | 25,6lb

PACKAGING

EMBALAJE

185x45x25cm | 72,8x 17,7x 9,8in
60x80x45cm | 23,6x 31,5x 17,7in
15kg | 33,1lb

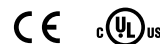
ELECTRICAL FEATURES

CARACTERÍSTICAS ELÉCTRICAS



CERTIFICATIONS

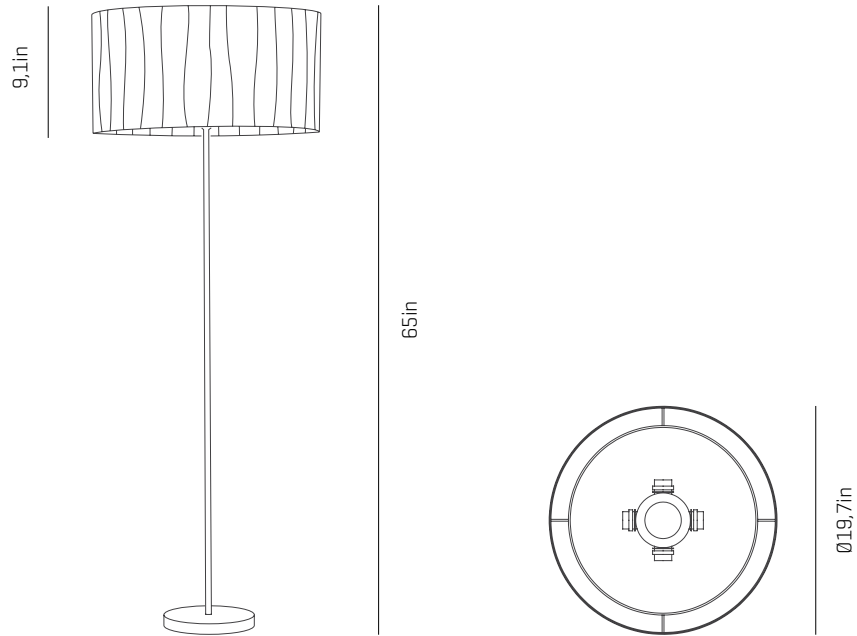
CERTIFICACIONES



a

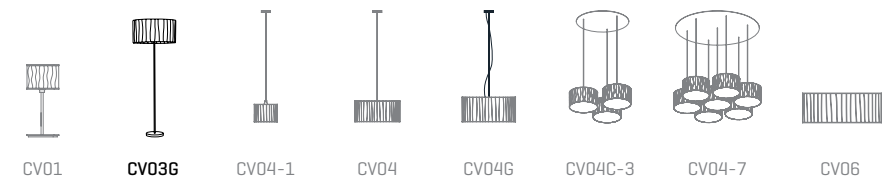
emotional light

curvas collection



USA & Canada

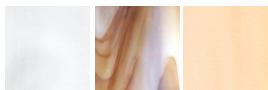
ref. CV03G



MATERIALS & COMPONENTS

LAMPSHADE

Glass | One color to choose



02 95 87



89 90

Top diffuser

SUPPORT AND CABLE

Painted steel and stainless steel


Dimmable

Transparent or black cable
Standard: 98,4in

RECOMMENDED BULBS

ONLY DIMMABLE LED BULBS

120V - 60Hz

 E26 LED- Max. 4x12 W

OTHER DATA

NET WEIGHT

25,6lb

PACKAGING

78,8x 17,7x 9,8in

23,6x 31,5x 17,7 in

33,1lb

ELECTRICAL FEATURES



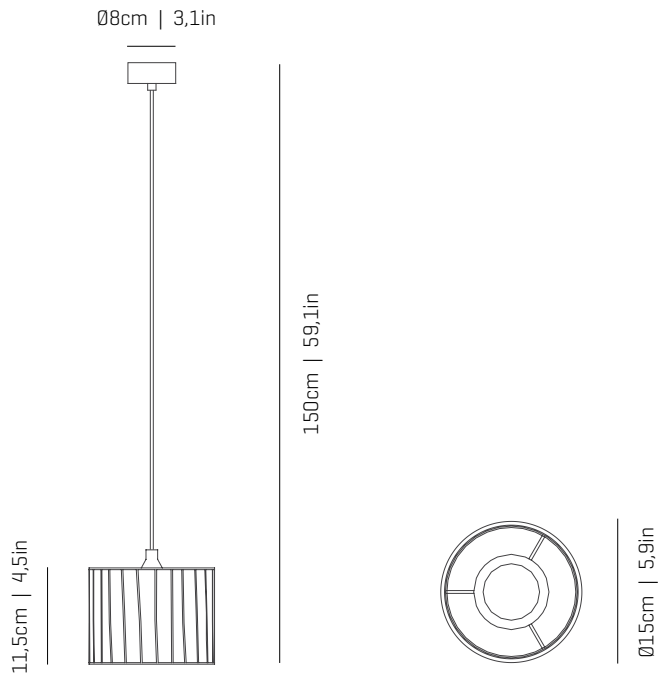
CERTIFICATIONS



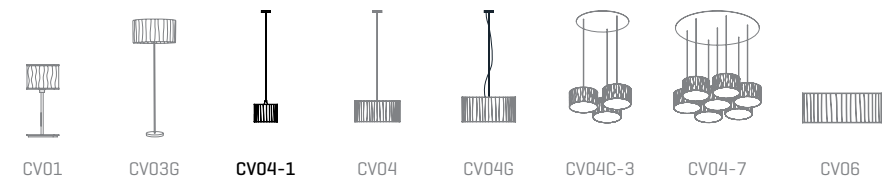
a

emotional light

curvas collection



ref. CV04-1



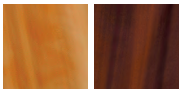
MATERIALS & COMPONENTS | MATERIALES & COMPONENTES

LAMP SHADE | TULIPA

Glass | One color to choose
Vidrio | Un color a elegir



02 95 87



89 90

CANOPY AND CABLE

FLORÓN Y CABLE

Steel gloss nickel-plated
Acero níquel-satinado

Transparent or black cable
Cable transparente o negro

Standard: 150cm | 59,1in
Length/largo customizable
120V: 200cm | 78,7in

RECOMMENDED BULBS

BOMBILLAS RECOMENDADAS

230V - 50Hz

- E14 LED Vintage - Max. 1x7 W
- E14 LED Standard - Max. 1x7 W

120V - 60Hz

- E12 LED - Max. 1x7 W

OTHER DATA | OTROS DATOS

NET WEIGHT

PESO NETO
0,7kg | 1,5lb

PACKAGING

EMBALAJE
21x21x22cm | 8,3x 8,3x 8,7in
1,7kg | 3,7lb

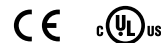
ELECTRICAL FEATURES

CARACTERÍSTICAS ELÉCTRICAS



CERTIFICATIONS

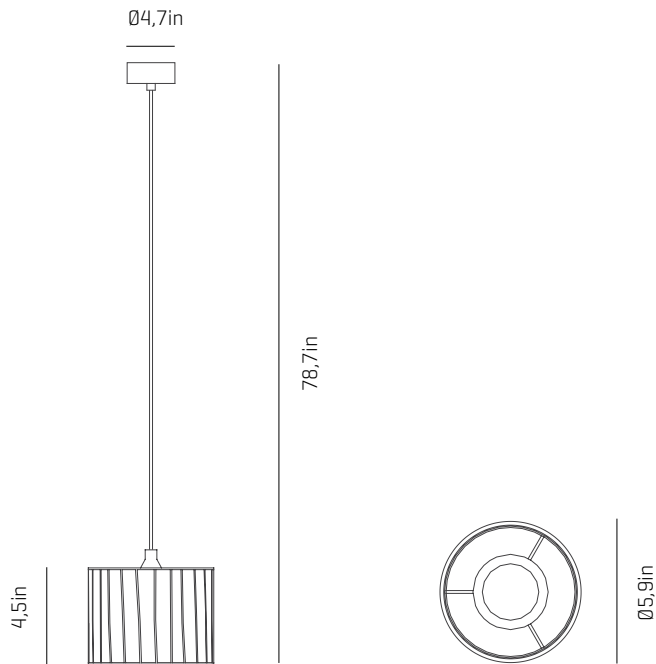
CERTIFICACIONES



a

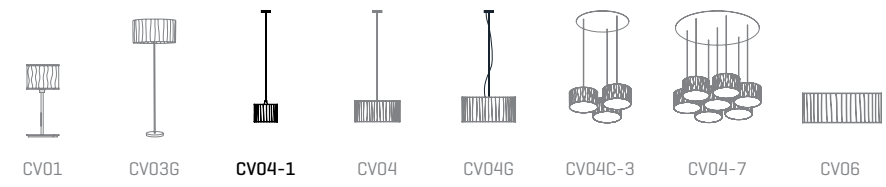
emotional light

curvas collection



USA & Canada

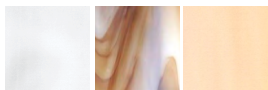
ref. CV04-1



MATERIALS & COMPONENTS

LAMPSHADE

Glass | One color to choose



02 95 87



89 90

CANOPY AND CABLE

Steel gloss nickel-plated


Transparent or black cable

Standard: 78,7in

Length customizable

RECOMMENDED BULBS

120V - 60Hz

 E12 LED- Max. 1x7 W

OTHER DATA

NET WEIGHT

1,5lb

PACKAGING

8,3x 8,3x 8,7in

3,7lb

ELECTRICAL FEATURES



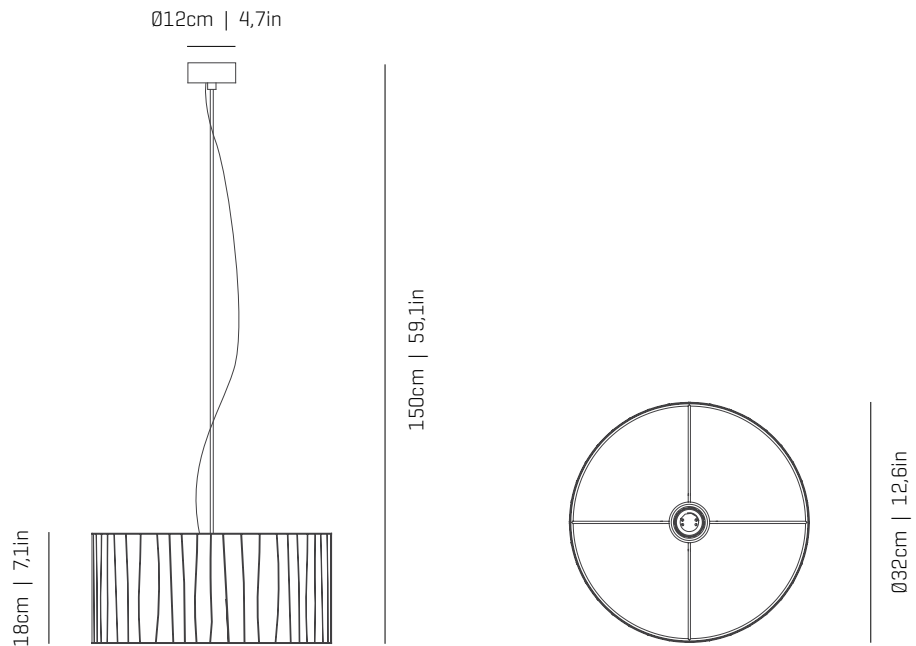
CERTIFICATIONS



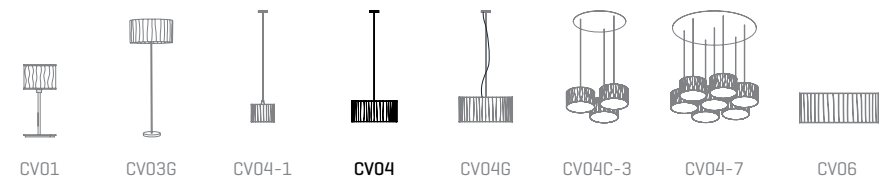
a

emotional light

curvas collection



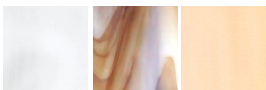
ref. CV04



MATERIALS & COMPONENTS | MATERIALES & COMPONENTES

LAMPSHADE | TULIPA

Glass | One color to choose
Vidrio | Un color a elegir



02 95 87



89 90

Bottom diffuser Difusor inferior

CANOPY AND CABLE

FLORÓN Y CABLE

Steel gloss nickel-plated
Acero níquel-satinado

Transparent or black cable
Cable transparente o negro

Standard: 150cm | 59,1in
Length/largo customizable
120V: 200cm | 78,7in

RECOMMENDED BULBS

BOMBILLAS RECOMENDADAS

230V - 50Hz

- E27 LED Vintage - Max. 1x8 W
- E27 LED Standard - Max. 1x8 W

120V - 60Hz

- E26 LED - Max. 1x8 W

OTHER DATA | OTROS DATOS

NET WEIGHT

PESO NETO
2,1kg | 4,6lb

PACKAGING

EMBALAJE
44x44x40cm | 17,3x 17,3x 15,7in
4,4kg | 9,7lb

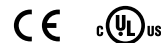
ELECTRICAL FEATURES

CARACTERÍSTICAS ELÉCTRICAS



CERTIFICATIONS

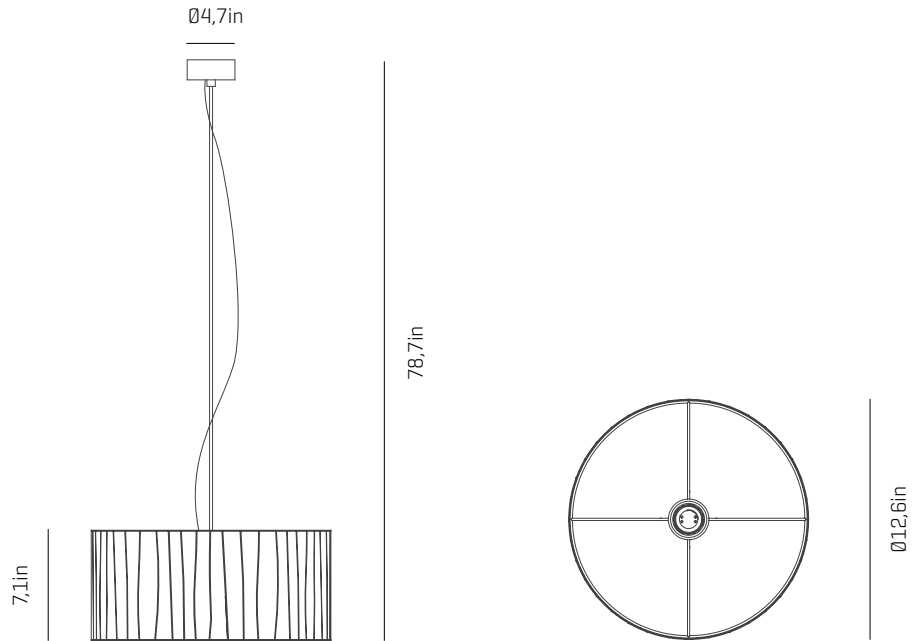
CERTIFICACIONES



a

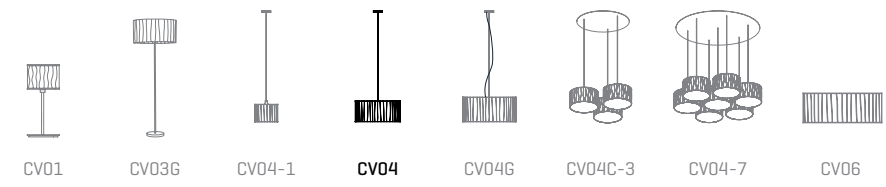
emotional light

curvas collection



USA & Canada

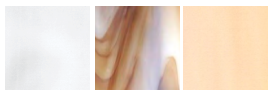
ref. CV04



MATERIALS & COMPONENTS

LAMPSHADE

Glass | One color to choose



02 95 87



89 90

Bottom diffuser

CANOPY AND CABLE

Steel gloss nickel-plated


Transparent or black cable

Standard: 78,7in

Length customizable

RECOMMENDED BULBS

120V - 60Hz

 E26 LED- Max. 1x8 W

OTHER DATA

NET WEIGHT

4,6lb

PACKAGING

17,3x 17,3x 15,7in

9,7lb

ELECTRICAL FEATURES



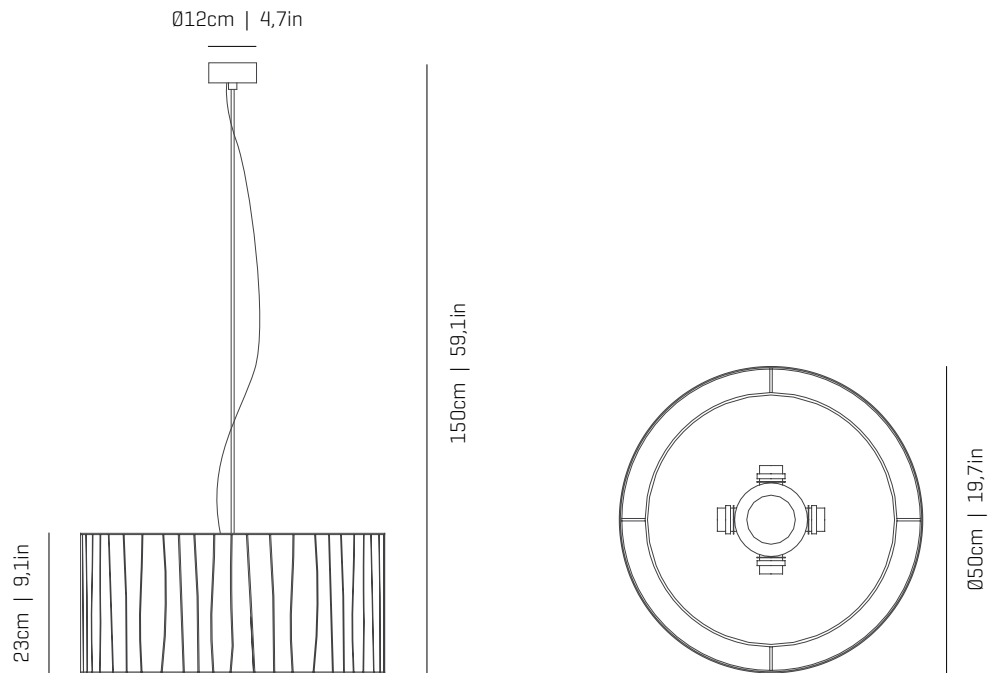
CERTIFICATIONS



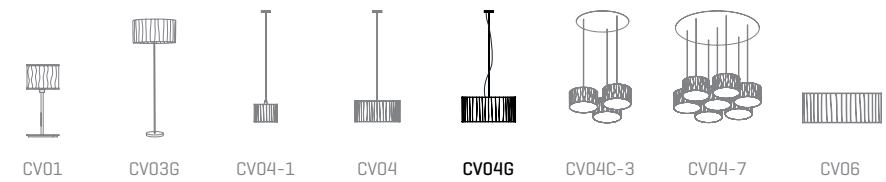
a

emotional light

curvas collection



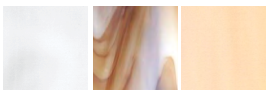
ref. CV04G



MATERIALS & COMPONENTS | MATERIALES & COMPONENTES

LAMPSHADE | TULIPA

Glass | One color to choose
Vidrio | Un color a elegir



02 95 87



89 90

Top and bottom diffuser
Difusor superior e inferior

CANOPY AND CABLE

FLORÓN Y CABLE

Steel gloss nickel-plated
Acero níquel-satinado

Transparent or black cable
Cable transparente o negro

Standard: 150cm | 59,1in

Length/largo customizable

120V: 200cm | 78,7in

RECOMMENDED BULBS

BOMBILLAS RECOMENDADAS

230V - 50Hz

- E27 LED Vintage - Max. 4x12 W
- E27 LED Standard - Max. 4x12 W

120V - 60Hz

- E26 LED - Max. 4x12 W

OTHER DATA | OTROS DATOS

NET WEIGHT

PESO NETO
5,6kg | 12,3lb

PACKAGING

EMBALAJE
60x80x45cm | 23,6x 31,5x 17,7in
12,4kg | 27,3lb

ELECTRICAL FEATURES

CARACTERÍSTICAS ELÉCTRICAS



CERTIFICATIONS

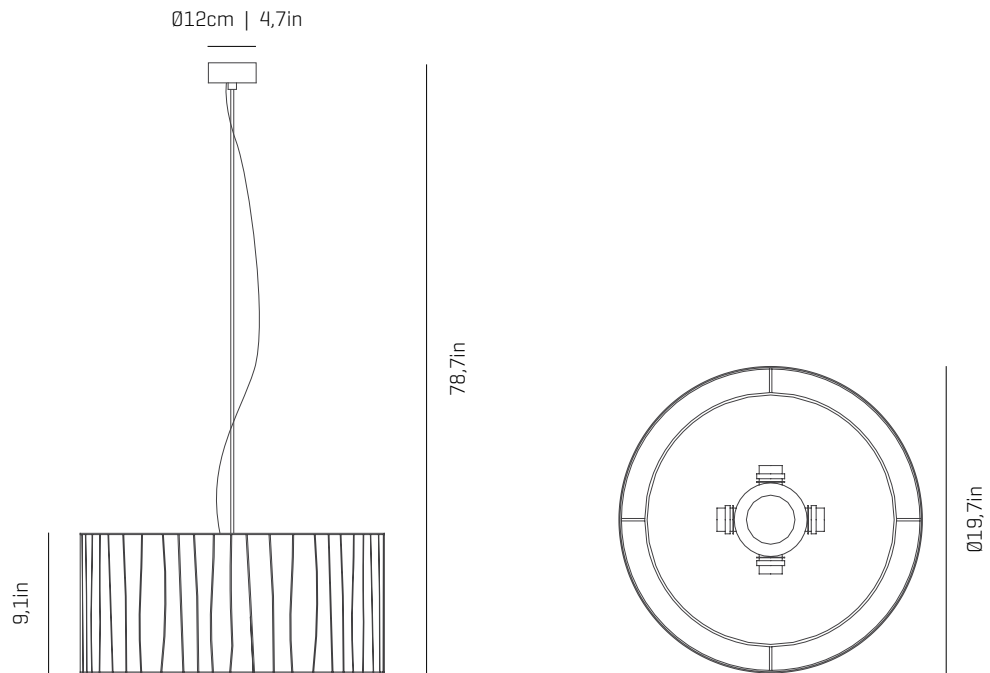
CERTIFICACIONES



a

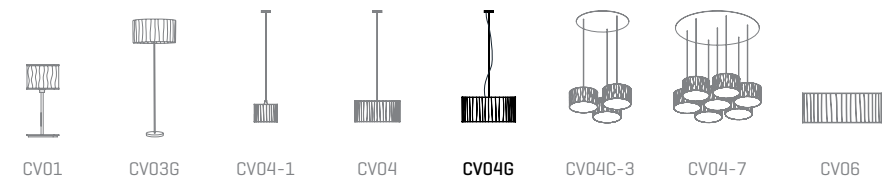
emotional light

curvas collection



USA & Canada

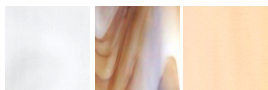
ref. CV04G



MATERIALS & COMPONENTS

LAMPSHADE

Glass | One color to choose



02 95 87



89 90

Top and bottom diffuser

CANOPY AND CABLE

Steel gloss nickel-plated

Transparent or black cable

Standard: 78,7in

Length customizable

RECOMMENDED BULBS

120V - 60Hz

 E26 LED- Max. 4x12 W

OTHER DATA

NET WEIGHT

12,3lb

PACKAGING

23,6x 31,5x 17,7in

27,3lb

ELECTRICAL FEATURES



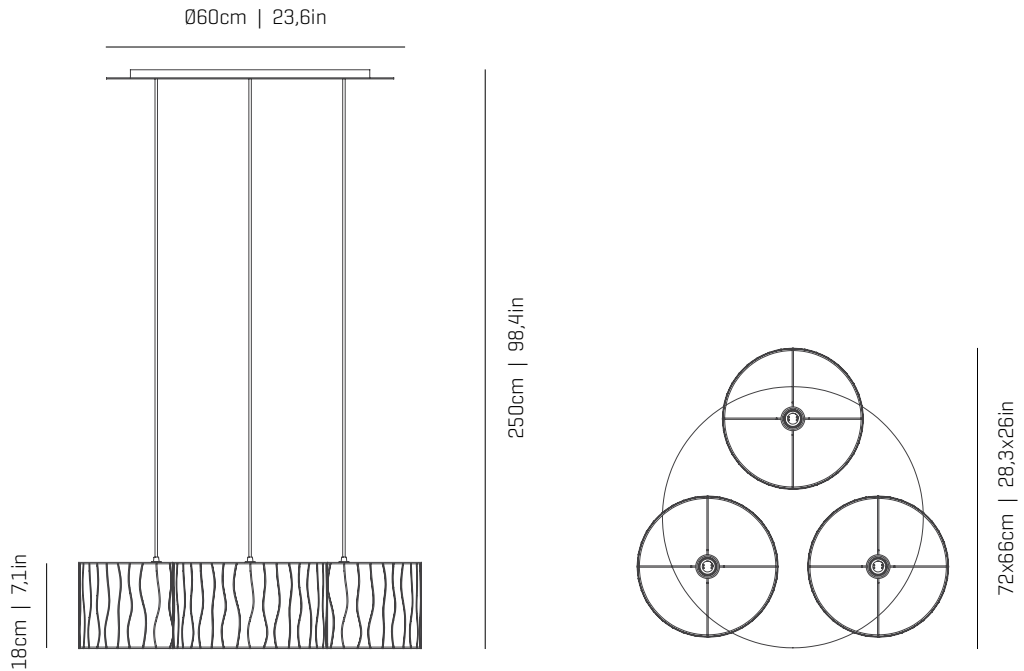
CERTIFICATIONS



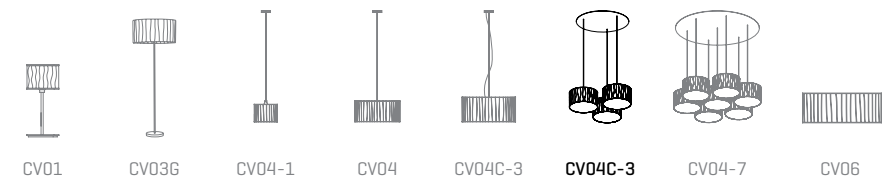
a

emotional light

curvas collection



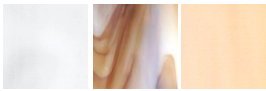
ref. CV04C-3



MATERIALS & COMPONENTS | MATERIALES & COMPONENTES

LAMPSHADE | TULIPA

Glass | One color to choose
Vidrio | Un color a elegir



02 95 87



89 90

Bottom diffuser | Difusor inferior

ref. 3xCV04

CANOPY AND CABLE | FLORÓN Y CABLE

DIBOND®

Transparent or black cable
Cable transparente o negro

Length/largo customizable

RECOMMENDED BULBS

BOMBILLAS RECOMENDADAS

230V - 50Hz

- E27 LED Vintage - Max. 3x12 W
- E27 LED Standard - Max. 3x12 W

120V - 60Hz

- E26 LED - Max. 3x12 W

OTHER DATA | OTROS DATOS

NET WEIGHT | PESO NETO

8kg | 17,6lb

PACKAGING | EMBALAJE

60x80x95cm | 23,6x 31,5x 37,4in
16kg | 35lb

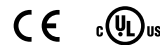
ELECTRICAL FEATURES

CARACTERÍSTICAS ELÉCTRICAS



CERTIFICATIONS

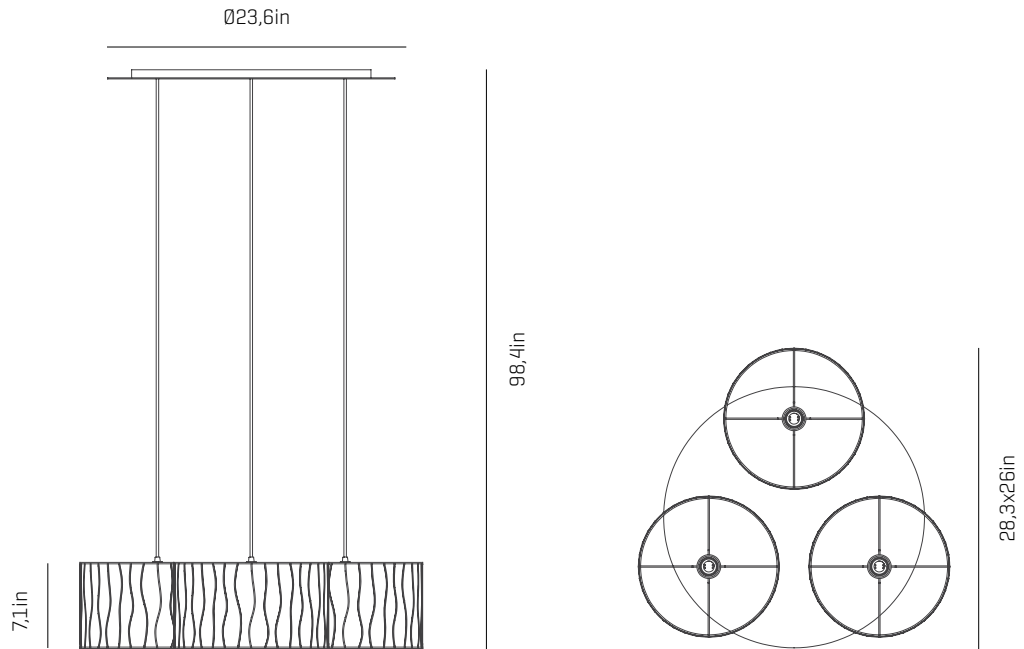
CERTIFICACIONES



a

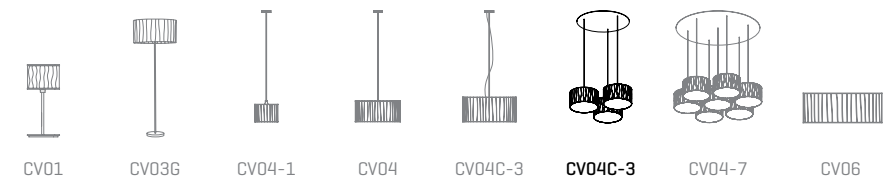
emotional light

curvas collection



USA & Canada

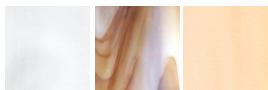
ref. CV04C-3



MATERIALS & COMPONENTS

LAMPSHADE

Glass | One color to choose



02 95 87



89 90

Bottom diffuser

ref. 3xCV04

CANOPY AND CABLE

DIBOND®

Transparent or black cable

Length customizable

RECOMMENDED BULBS

120V - 60Hz

 E26 LED- Max. 3x12 W

OTHER DATA

NET WEIGHT

17,6lb

PACKAGING

23,6x 31,5x 37,4in

35lb

ELECTRICAL FEATURES



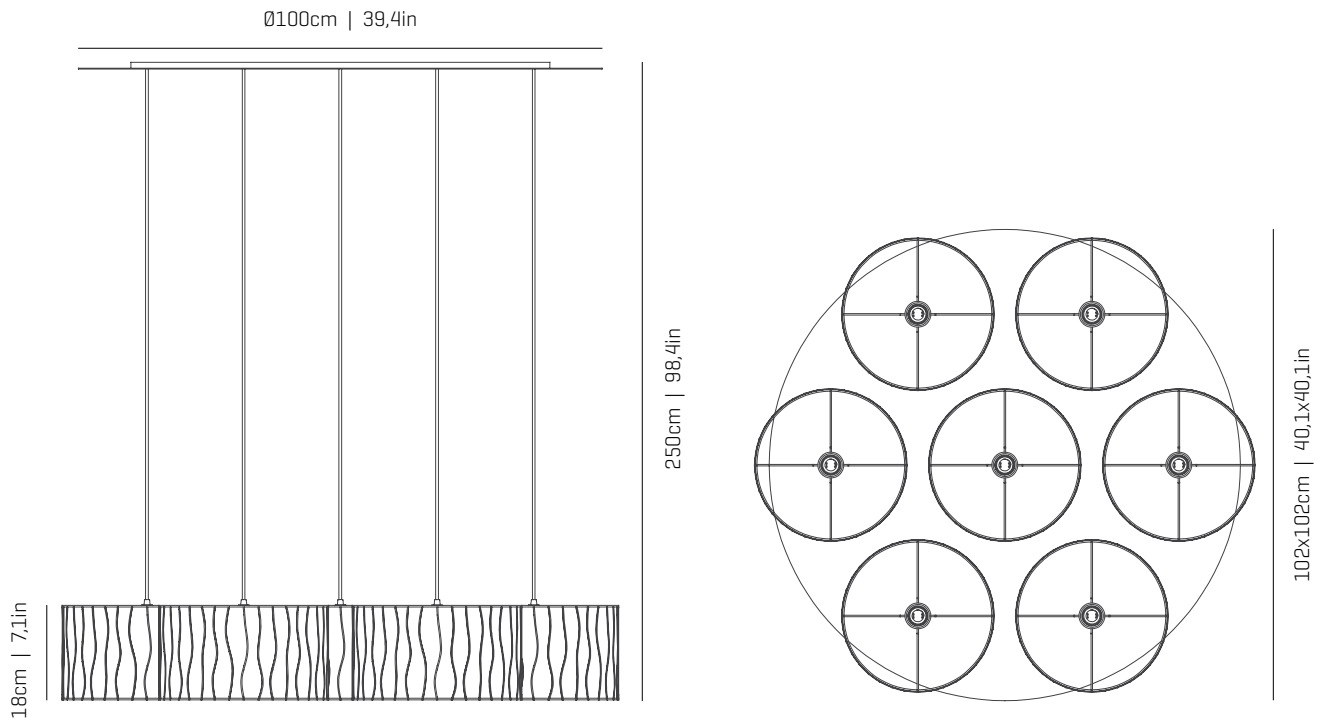
CERTIFICATIONS



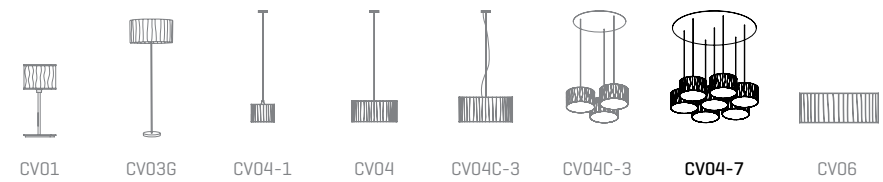
a

emotional light

curvas collection



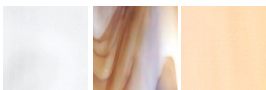
ref. CV04-7



MATERIALS & COMPONENTS | MATERIALES & COMPONENTES

LAMP SHADE | TULIPA

Glass | One color to choose
Vidrio | Un color a elegir



02 95 87



89 90

Bottom diffuser | Difusor inferior

ref. 7xCV04

CANOPY AND CABLE | FLORÓN Y CABLE

DIBOND®

Transparent or black cable
Cable transparente o negro

Length/largo customizable

RECOMMENDED BULBS

BOMBILLAS RECOMENDADAS

230V - 50Hz

- E27 LED Vintage - Max. 7x12 W
- E27 LED Standard - Max. 7x12 W

120V - 60Hz

- E26 LED - Max. 7x12 W

OTHER DATA | OTROS DATOS

NET WEIGHT | PESO NETO

18kg | 39,7lb

PACKAGING | EMBALAJE

80x120x125cm | 31,5x 47,2x 49,2in
35kg | 77lb

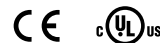
ELECTRICAL FEATURES

CARACTERÍSTICAS ELÉCTRICAS



CERTIFICATIONS

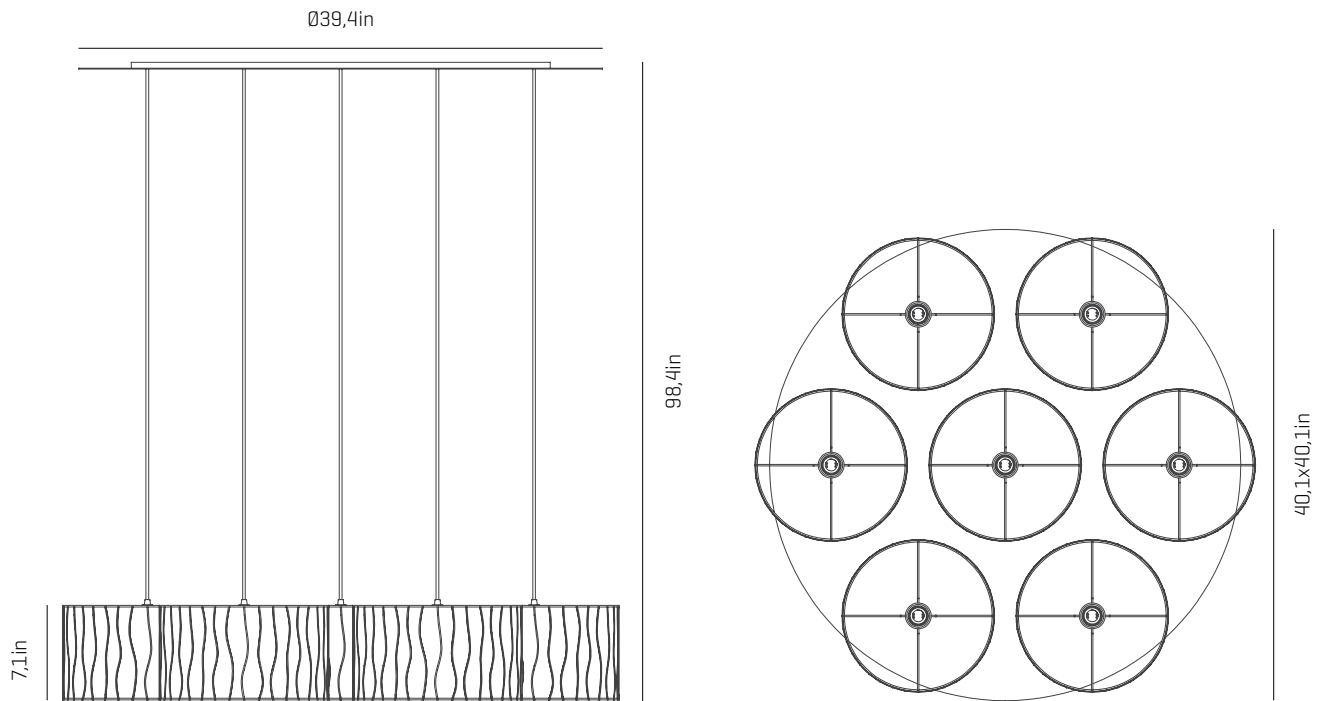
CERTIFICACIONES



a

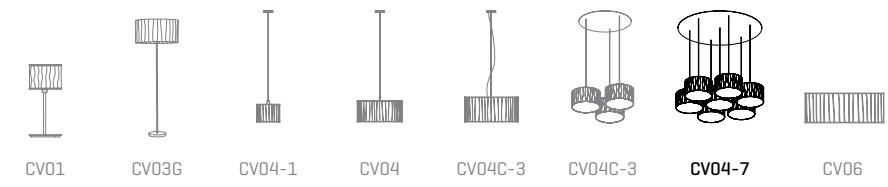
emotional light

curvas collection



USA & Canada

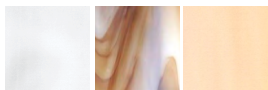
ref. CV04-7



MATERIALS & COMPONENTS

LAMPSHADE

Glass | One color to choose



02 95 87



89 90

Bottom diffuser

ref. 7xCV04

CANOPY AND CABLE


DIBOND®

Transparent or black cable

Length customizable

RECOMMENDED BULBS

120V - 60Hz

 E26 LED- Max. 7x12 W

OTHER DATA

NET WEIGHT

39,7lb

PACKAGING

31,5x 47,2x 49,2in

77lb

ELECTRICAL FEATURES



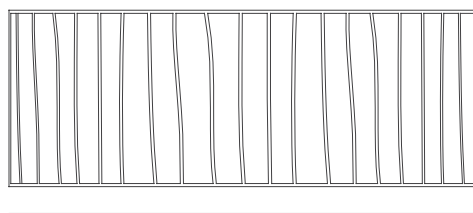
CERTIFICATIONS



a

emotional light

curvas collection



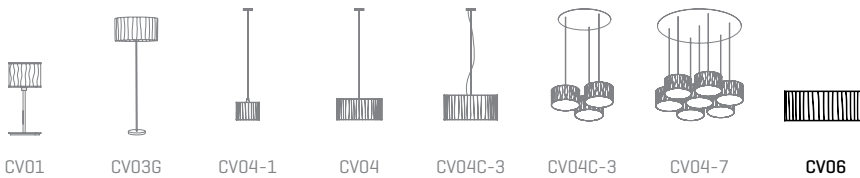
45cm | 17,7in

17cm | 6,7in



12cm | 4,7in

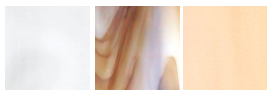
ref. CV06



MATERIALS & COMPONENTS | MATERIALES & COMPONENTES

LAMP SHADE | TULIPA

Glass | One color to choose
Vidrio | Un color a elegir



02 95 87



89 90

SUPPORT AND MOUNTING OPTIONS

SOPORTE Y OPCIONES DE INSTALACIÓN

Stainless steel
Acero inoxidable

Wall lamp
Aplique

RECOMMENDED BULBS

BOMBILLAS RECOMENDADAS

230V - 50Hz

- E14 LED Vintage - Max. 2x7 W
- E14 LED Standard - Max. 2x7 W

120V - 60Hz

- E12 LED - Max. 2x7 W

OTHER DATA | OTROS DATOS

NET WEIGHT | PESO NETO

1,7kg | 3,7lb

PACKAGING | EMBALAJE

66x32x23cm | 26x 12,6x 9,1in
3kg | 6,5lb

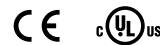
ELECTRICAL FEATURES

CARACTERÍSTICAS ELÉCTRICAS



CERTIFICATIONS

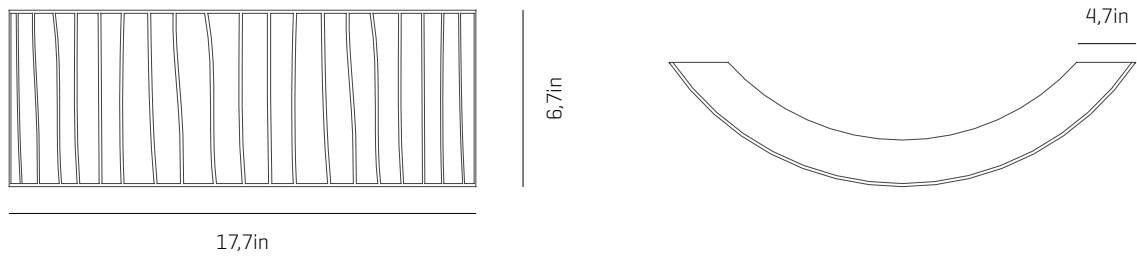
CERTIFICACIONES



a

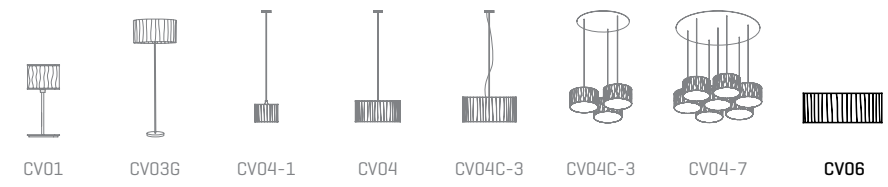
emotional light

curvas collection



USA & Canada

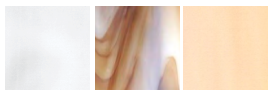
ref. CV06



MATERIALS & COMPONENTS

LAMPSHADE

Glass | One color to choose



02 95 87



89 90


SUPPORT AND MOUNTING OPTIONS

Stainless steel

Wall lamp

RECOMMENDED BULBS

120V - 60Hz

 E12 LED- Max. 2x7 W

OTHER DATA

NET WEIGHT

3,7lb

PACKAGING

26x 12,6x 9,1in

6,5lb

ELECTRICAL FEATURES



CERTIFICATIONS

